



LCD-24DT LCD Lift



Features

- Support 24" LCD Mon 16:9
- Support RF wireless remote control, Up, Down, stop control switch for remote control
- Supply RS232/ RS485 Control
- USA damping motor , Brake Function

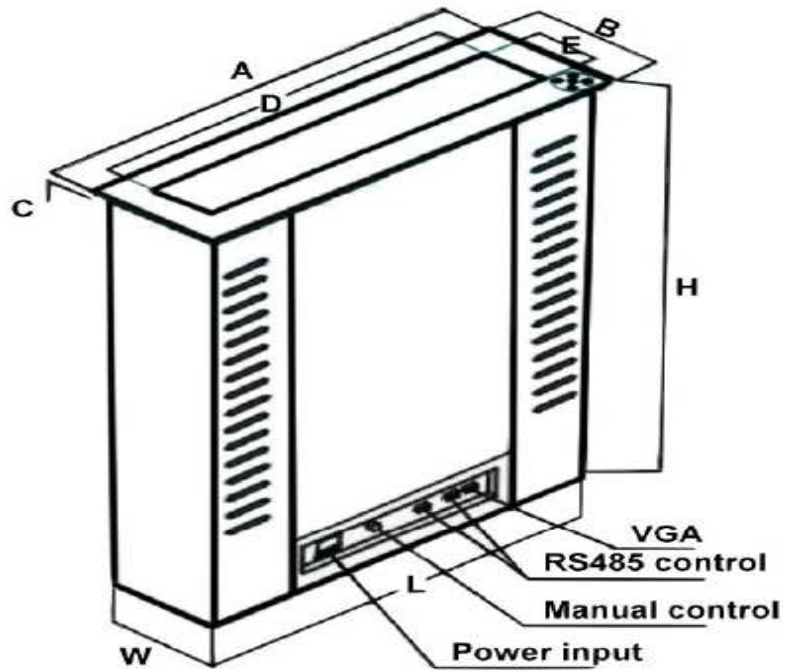
Specification

- Material: Steel
- Color: Phenolic plastics , Surface treatment: Bake of high temperature
- Wall Mount bracket for 24" 16:9 Mon
- Load weight: 10kg
- Power Supply: 220 V / 50 ~ 60 Hz

Dimension

- Box Dimensions(L x W x H): 663 x 160 x 600mm
- Board Dimensions(L x W x H): 685 x 180 x 5mm
- Board door Dimensions (D x E): 600 x 100mm
- LCD dimensions(L x W x H): 556.0 x 64.9 x 361.6mm

Lift Drawing



Dimensions Drawing

